

# Viper Industrial Series



**ST-1530-PV**



**ST-2510/5016-PV**



**ST-2510/5016-PV(2.5)**

**Black Knight**



**VTE-2510**



**ST-2510/5016**

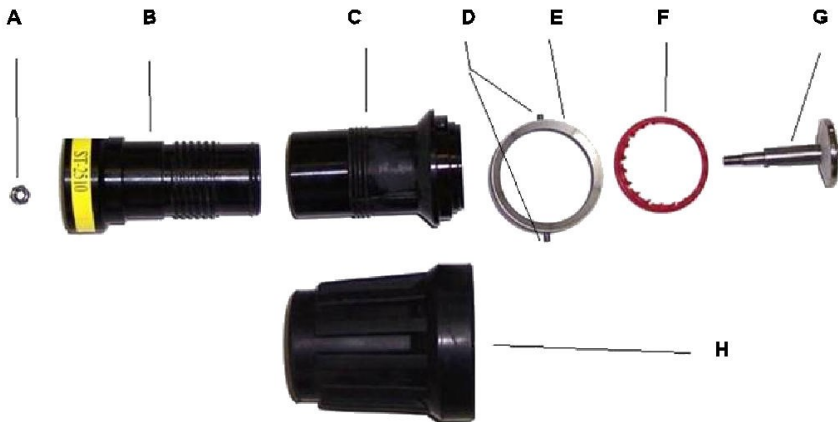


**ST-2510-B/5016-B  
\*\*BRASS\*\***



## INDUSTRIAL FLOW DATA

STYLE	NOZZLE PRESSURE (psi)	NOZZLE FLOW (gpm)	STREAM SETTING	EFFECTIVE REACH
ST-1530-PV	75	26	SS	82
		35	45° fog	20
	100	30	SS	85
		40	45° fog	21
	150	34	SS	98
		45	45° fog	24
ST-2510 (PV)	75	82	SS	108
		85	45° fog	36
	100	95	SS	118
		99	45° fog	39
	150	116	SS	128
		121	45° fog	39
ST-5016 (PV)	75	95	SS	115
		95	45° fog	36
	100	110	SS	125
		110	45° fog	39
	150	135	SS	131
		135	45° fog	43
VTE-2510/ BLACKNIGHT	75	82	SS	89
		87	45° fog	36
	100	95	SS	95
		100	45° fog	36
	150	116	SS	108
		123	45° fog	39



ST2510 AND ST5016 TIP BOM			
REFERENCE	PART NAME	PART #	QUANTITY
A	LOCK NUT	V-LCKNT-IND	1
B	INNER BARREL	V-INNERBARREL-IND	1
C	OUTER BARREL	V-OUTRBRRL-IND	1
D	SET SCREW	V-SETPIN-RR-IND	2
E	RETAINER RING	V-RTNRRNG-IND	1
F	SPINNING TEETH	V-TEETH-3012	1
G	SPINDLE SHAFT	V-SPNDLSHFT-IND	1
G*	SPINDLE SHAFT	V-SPNDLSHFT-IND125	1
H	BUMPER	V- BUMPER-IND	1

**NOTE: IF PLASTIC TIP FAILS IT NEEDS TO BE REPLACED**



3842 Redman Dr. Fort Collins CO 80524  
 Phone: 888-663-4966 - Fax: 970-663-4966 - www.cssupplyinc.com

<b>(VALVE PORTION) VB1560 and VB3012 BOM</b>			
<b>REFERENCE</b>	<b>PART NAME</b>	<b>PART #</b>	<b>QUANTITY</b>
1	<b>1" GASKET</b>	GASKET 1	1
1a	<b>1.5" GASKET</b>	GASKET 15	1
2	<b>1" SWIVEL</b>	V-1" SWIVEL	1
2a	<b>1.5" SWIVEL</b>	V-1.5" SWIVEL	1
3	<b>SWIVEL O-RING</b>	V-ORING-SW-3012	1
4	<b>BALL</b>	V-BALL-3012	1
5	<b>PISTOL GRIP</b>	V-PG15V	1
6	<b>BALL LOCATOR (2 PIECES)</b>	V-BALLLOC-3012	1
7			
8	<b>PISTOL GRIP SET PIN</b>	V-SETPIN-3012	1
9	<b>VALVE BODY</b>	VLVBDY-3012	1
10	<b>SEAT RETAINER (3 PIECES)</b>	V-SEATRTNR-3012	1
11			
12			
13	<b>BALL ACUATOR (2 PEICES)</b>	V-BALLACT-3012	1
14			
15	<b>PAN HEAD COVER</b>	V-PANHEAD-3012	1
16	<b>SWIVEL SET PIN</b>	V-SETPIN-3012	1
17	<b>BALL BEARINGS</b>	V-BEARINGS-3012	32
18	<b>HANDLE (BAIL)</b>	V-HANDLE-3012	1

<b>SG1560 AVAILABLE KITS</b>		
<b>KIT#</b>	<b>KIT Name</b>	<b>PARTS CONTAINED</b>
<b>VNRK-1560</b>	<b>VIPER NOZZLE REPAIR KIT SG1560</b>	A,D,E,F,G,H 1,3,4,5,6,7,8,10,11,12,13,14,15,16,17,18
<b>VVRK-3012</b>	<b>Valve Repair Kit Small</b>	1,1a,3,4,6,7,10,11,12,13,14,15,16,17,18
<b>VBSC-3012</b>	<b>Ball &amp; Seat Combo Small</b>	4,10,11,12
<b>V-HH5-3012</b>	<b>Handle Hardware Small</b>	6,7,13,14,15
<b>V-SWKIT1560</b>	<b>Swivel Kit 1" Small</b>	1,3,16,17
<b>V-SWKIT3012</b>	<b>Swivel Kit 1.5" Small</b>	1a,3,16,17

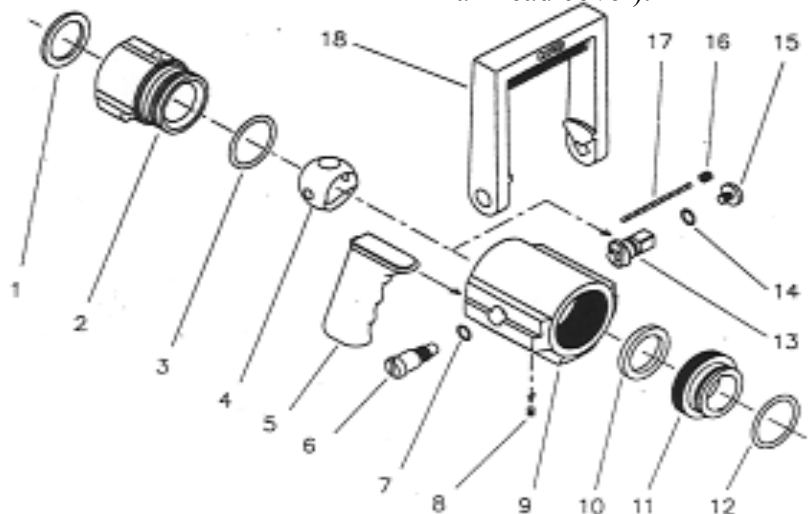
## **DANGER**

**PLEASE BE RESPONSIBLE!  
PLEASE BE CAREFUL!**

THE USER OF THIS EQUIPMENT IS  
PERSONALLY RESPONSIBLE FOR THE  
FOLLOWING:

1. You need to know and understand that Fire-fighting and Emergency response is dangerous and proper training is needed.
2. You need to be physically fit and skillful in the use of any equipment that you may need to use.
3. You need to know that your equipment is in proper working order.
4. You need to know carelessness or negligence may result in injury or death.

**PLEASE BE RESPONSIBLE!  
PLEASE BE CAREFUL!**



### **BALL SHUTOFF USE:**

- Open and close the valve slowly to reduce risk of water hammer.
- Pull the bail handle toward the swivel to OPEN the valve.
- Push the bail handle toward the tip of the nozzle to CLOSE the valve.

### **TIP USE:**

- Rotate the rubber bumper on the end to select spray pattern.
- Twist the tip to the right past straight stream to shut off.
- Tip can be used independently of the ball shutoff to create a "Break-apart" nozzle (**NST MODEL ONLY**)

### **Maintenance:**

- Test nozzle before putting into service.
- Clean nozzle by flushing with water after use.
- Use non-detergent soap to clean dirt from the exterior to reduce wear .
- Regularly check the bail handle screws that they are tight. If taken out use medium thread locker on the threads before reassembly.
- Periodically service your nozzle or have your fire equipment dealer service it.
- Normally serviced parts are the: Ball, Seat assembly, Spinning teeth, and the handle hardware (Ball locator screw, Actuator, Pan head cover).